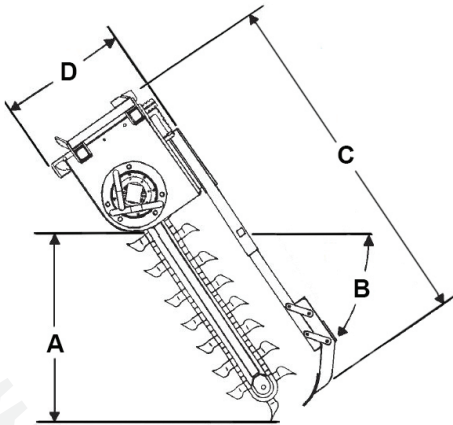


### Heavy Duty Planetary Drive Trencher

- 30", 36", 42", 48" and 60" digging depth available to fit most applications
- Note: 60" is available in high flow only
- Mechanical side shift provides 17" of reach right of center
- Spring-loaded, self adjusting idler with full rock guards
- Heavy-duty boom and crumber

- Several tooth options available; Cup, Shark, Rock & Frost
- 50,000 lb. 2" anti-back flex-chain for tooth pattern versatility to support many soil types and conditions
- 1 Year Limited Warranty



SPECIFICATIONS	30" Boom	36" Boom	42" Boom	48" boom	60" Boom
A. Max Trench Depth	30"	36"	42"	48"	60"
B. Trenching Angle	65°	65°	65°	65°	65°
C. Overall Length	66"	73"	79"	86"	94"
D. Overall Height	32"	32"	32"	32"	57"
Frame Width	53"	53"	53"	53"	55"
Side Shift, Right of Center	17"	17"	17"	17"	17"
Trencher Widths Available	6", 8", 10", 12"	6", 8", 10", 12"	6", 8", 10"	6", 8"	6"

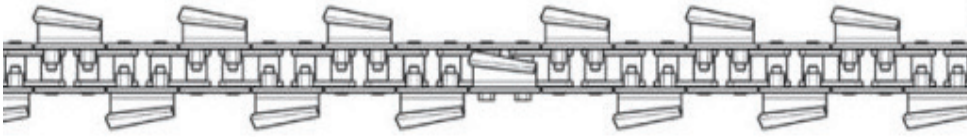
COMPATIBILITY	PART NUMBER	WEIGHT	SSL								CTL			CWL				
			TS50R	TS60R	TS50V	TS60V	TS70R	TS70V	TS80R-2	TS80V-2	TL8	TL10	TL12	TW40	TW65-2	TW80-2		
<b>Pre-Configured Trencher Assemblies</b>																		
Trencher - 36"x6" Standard Flow - 18-24	ATR36-6TEOS-1824	1,127 lbs.	●	●	●	●	●	●	●	●	●	●	●	●				
Trencher - 48"x6" Standard Flow - 18-24	ATR48-6TEOS-1824	1,177 lbs.	●	●	●	●	●	●	●	●	●	●	●	●				
Trencher - 36"x6" High Flow - 32-40	ATR36-6TEOS-3240X	1,158 lbs.											*3	*3	*3			
Trencher - 48"x6" High Flow - 32-40	ATR48-6TEOS-3240X	1,220 lbs.											*3	*3	*3			

### Custom Configured Trenchers

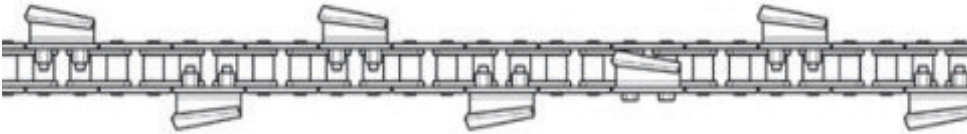
Select from base unit from **Group 1 (Drive Head)**, then determine the desired dig depth and choose from **Group 2 (Boom and Crumber)** listed along with one desired chain type from **Group 3 (Chain and Teeth)**. The three groups combined will provide a complete custom order trencher assembly. Contact Takeuchi to order custom configured trenchers.

Custom Configurations (Group 1)	PART NUMBER	WEIGHT	SSL								CTL			CWL				
Trencher - Group 1 (Drive Head) - Standard Flow 18-24 (Must Order Boom and Chain Separately)	ATRX1-1824	877 lbs.	●	●	●	●	●	●	●	●	●	●	●	●				
Trencher - Group 1 (Drive Head) - High Flow 32-40 (Must Order Boom and Chain Separately)	ATRX1-3240X	940 lbs.											*3	*3	*3			

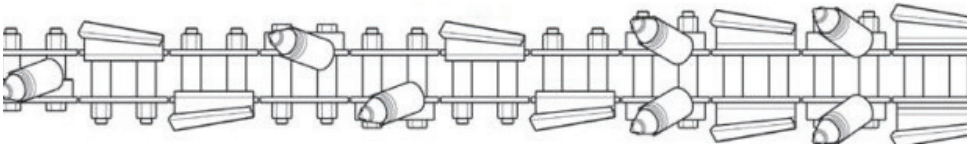
\*3 = Compatible with high flow option



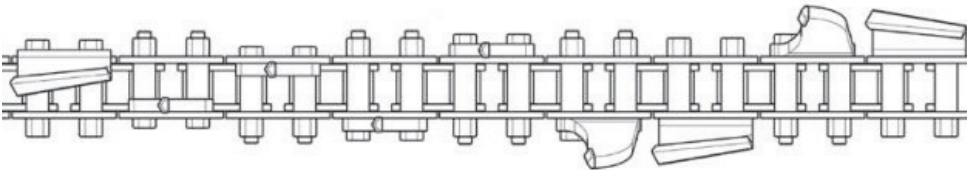
Tooth Every Station (TES)



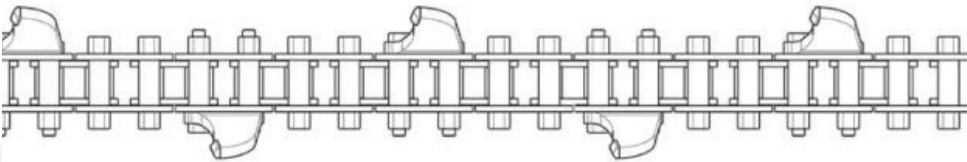
Tooth Every Other Station (TEOS)



50/50 Rock & Frost (R&F)



70/30 Combination (70/30)  
Aggressive Shark and Cup Tooth



Full Shark Tooth (100)

	PART NUMBER	WEIGHT
<b>Custom Configurations (Boom and Chain Options for 30" Dig Depth)</b>		
Trencher - Group 2 (Boom and Crumber) - 30" Dig Depth (24 stations)	ATR2-30-89281	104 lbs.
Trencher - Group 3 (Chain and Teeth) - TES - 6" wide for 30" boom	ATR3-6TESX30-79154	110 lbs.
Trencher - Group 3 (Chain and Teeth) - TES - 8" wide for 30" boom	ATR3-8TESX30-79155	118 lbs.
Trencher - Group 3 (Chain and Teeth) - TES - 10" wide for 30" boom	ATR3-10TESX30-79156	130 lbs.
Trencher - Group 3 (Chain and Teeth) - TES - 12" wide for 30" boom	ATR3-12TESX30-79157	145 lbs.
Trencher - Group 3 (Chain and Teeth) - TEOS - 6" wide for 30" boom	ATR3-6TEOSX30-79181	89 lbs.
Trencher - Group 3 (Chain and Teeth) - TEOS - 8" wide for 30" boom	ATR3-8TEOSX30-79182	94 lbs.
Trencher - Group 3 (Chain and Teeth) - TEOS - 10" wide for 30" boom	ATR3-10TEOSX30-7918	98 lbs.
Trencher - Group 3 (Chain and Teeth) - TEOS - 12" wide for 30" boom	ATR3-12TEOSX30-7918	108 lbs.
Trencher - Group 3 (Chain and Teeth) - R&F - 6" wide for 30" boom	ATR3-6R&FX30-83706	152 lbs.
Trencher - Group 3 (Chain and Teeth) - 70/30 - 6" wide for 30" boom	ATR3-670/30X30-3154	118 lbs.
Trencher - Group 3 (Chain and Teeth) - 100 - 6" wide for 30" boom	ATR3-6100X30-31549	121 lbs.

SELECT ONE

		PART NUMBER	WEIGHT
<b>Custom Configurations (Boom and Chain Options for 36" Dig Depth)</b>			
Trencher - Group 2 (Boom and Crumber) - 36" Dig Depth (27 stations)		ATR2-36-89282	115 lbs.
SELECT ONE	Trencher - Group 3 (Chain and Teeth) - TES - 6" wide for 36" boom	ATRX3-6TESX36-79099	135 lbs.
	Trencher - Group 3 (Chain and Teeth) - TES - 8" wide for 36" boom	ATRX3-8TESX36-79100	142 lbs.
	Trencher - Group 3 (Chain and Teeth) - TES - 10" wide for 36" boom	ATRX3-10TESX36-79158	155 lbs.
	Trencher - Group 3 (Chain and Teeth) - TES - 12" wide for 36" boom	ATRX3-12TESX36-81120	190 lbs.
	Trencher - Group 3 (Chain and Teeth) - TEOS - 6" wide for 36" boom	ATRX3-6TEOSX36-79185	103 lbs.
	Trencher - Group 3 (Chain and Teeth) - TEOS - 8" wide for 36" boom	ATRX3-8TEOSX36-79186	108 lbs.
	Trencher - Group 3 (Chain and Teeth) - TEOS - 10" wide for 36" boom	ATRX3-10TEOSX36-7918	116 lbs.
	Trencher - Group 3 (Chain and Teeth) - R&F - 6" wide for 36" boom	ATRX3-6R&FX36-83707	182 lbs.
	Trencher - Group 3 (Chain and Teeth) - 70/30 - 6" wide for 36" boom	ATRX3-670/30X36-3154	133 lbs.
	Trencher - Group 3 (Chain and Teeth) - 100 - 6" wide for 36" boom	ATRX3-6100X36-31550	137 lbs.

<b>Custom Configurations (Boom and Chain Options for 42" Dig Depth)</b>			
Trencher - Group 2 (Boom and Crumber) - 42" Dig Depth (31 stations)		ATR2-42-89283	128 lbs.
SELECT ONE	Trencher - Group 3 (Chain and Teeth) - TES - 6" wide for 42" boom	ATRX3-6TESX42-82114	148 lbs.
	Trencher - Group 3 (Chain and Teeth) - TES - 8" wide for 42" boom	ATRX3-8TESX42-82115	156 lbs.
	Trencher - Group 3 (Chain and Teeth) - TES - 10" wide for 42" boom	ATRX3-10TESX42-82116	170 lbs.
	Trencher - Group 3 (Chain and Teeth) - TEOS - 6" wide for 42" boom	ATRX3-6TEOSX42-82117	117 lbs.
	Trencher - Group 3 (Chain and Teeth) - TEOS - 8" wide for 42" boom	ATRX3-8TEOSX42-82118	123 lbs.
	Trencher - Group 3 (Chain and Teeth) - TEOS - 10" wide for 42" boom	ATRX3-10TEOSX42-8211	132 lbs.
	Trencher - Group 3 (Chain and Teeth) - R&F - 6" wide for 42" boom	ATRX3-6R&FX42-83708	212 lbs.
	Trencher - Group 3 (Chain and Teeth) - 70/30 - 6" wide for 42" boom	ATRX3-670/30X42-3156	153 lbs.
	Trencher - Group 3 (Chain and Teeth) - 100 - 6" wide for 42" boom	ATRX3-6100X42-31551	151 lbs.

<b>Custom Configurations (Boom and Chain Options for 48" Dig Depth)</b>			
Trencher - Group 2 (Boom and Crumber) - 48" Dig Depth (34 stations)		ATR2-48-89284	140 lbs.
SELECT ONE	Trencher - Group 3 (Chain and Teeth) - TES - 6" wide for 48" boom	ATRX3-6TESX48-79101	160 lbs.
	Trencher - Group 3 (Chain and Teeth) - TES - 8" wide for 48" boom	ATRX3-8TESX48-79102	170 lbs.
	Trencher - Group 3 (Chain and Teeth) - TEOS - 6" wide for 48" boom	ATRX3-6TEOSX48-79188	130 lbs.
	Trencher - Group 3 (Chain and Teeth) - TEOS - 8" wide for 48" boom	ATRX3-8TEOSX48-79189	137 lbs.
	Trencher - Group 3 (Chain and Teeth) - R&F - 6" wide for 48" boom	ATRX3-6R&FX48-83709	242 lbs.
	Trencher - Group 3 (Chain and Teeth) - 70/30 - 6" wide for 48" boom	ATRX3-670/30X48-3154	168 lbs.
	Trencher - Group 3 (Chain and Teeth) - 100 - 6" wide for 48" boom	ATRX3-6100X48-31552	172 lbs.

		PART NUMBER	WEIGHT
<b>Custom Configurations (Boom and Chain Options for 60" Dig Depth)</b>			
Trencher - Group 2 (Boom and Crumber) - 60" Dig Depth (40 stations) - High Flow Only		ATR2-60-100272	180 lbs.
<b>SELECT ONE</b>	Trencher - Group 3 (Chain and Teeth) - TES - 6" wide for 60" boom	ATRX3-6TESX60-80053	173 lbs.
	Trencher - Group 3 (Chain and Teeth) - TEOS - 6" wide for 60" boom	ATRX3-6TEOSX60-80043	149 lbs.
	Trencher - Group 3 (Chain and Teeth) - R&F - 6" wide for 60" boom	ATRX3-6R&FX60-83705	265 lbs.
	Trencher - Group 3 (Chain and Teeth) - 70/30 - 6" wide for 60" boom	ATRX3-670/30X60-3154	195 lbs.

